

0-10V Wireless Dimming Module Control

Product Features

Operating voltage: 120-277V~ 50/60Hz

Output Ratings
 Switch rating of 12 A.
 0-10V control link for 60mA maximum output, source or sink automatically configures.

Standby power:
 240-277V~610mW
 120V~550mW

System Communication
 Operates using RF technology for reliable wireless communication.
 RF range is 30ft(10m)

Radio frequency(RF) control Communication with RF input devices in the market.

Control LED Drivers based on input from wireless controls.

0-10V Control Link:
 Communicates with up to 60mA of fixture
 0-10V control can be installed using Class1 or Class2 wiring methods.
 Alternately, it can be wired to basic or double-insulated devices.

Mounts to a US-style junction box through a standard-size knockout.

Ambient operating temperature: 32 °F to 104°F

For indoor use only

Wall Mount Wireless Controller



Fixture Mount Module Receiver

Independent Wireless Controller

Application

- Suitable for small areas(e.g.,classrooms, conference rooms,private offices).

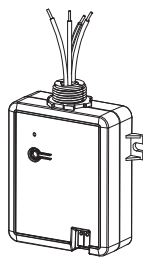
Ordering Number Logic

	Region	Operating Voltage	Frequency Band
Fixture Mount	U.S.A.,Canada	120/277V	431.0-437.0 MHz
Independent	U.S.A.,Canada	Self-Battery	431.0-437.0 MHz
Wall Mount	Wall Mount Accessory		

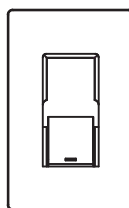
System Diagram



Independent

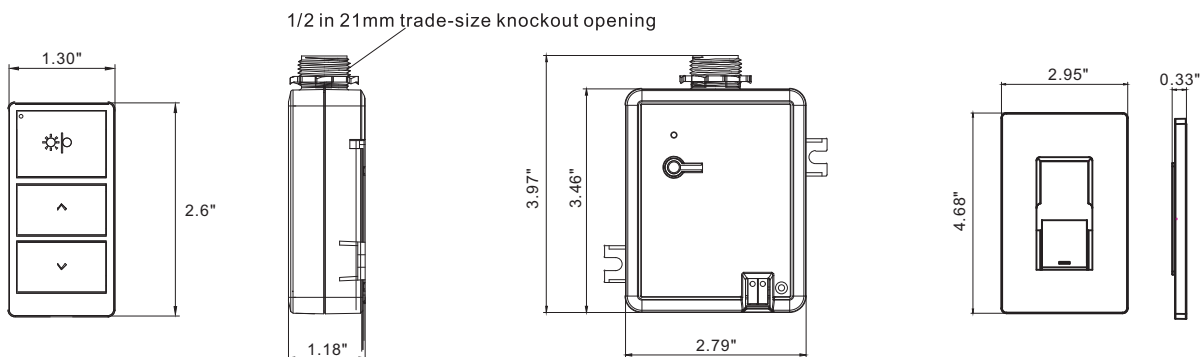


Fixture Mount



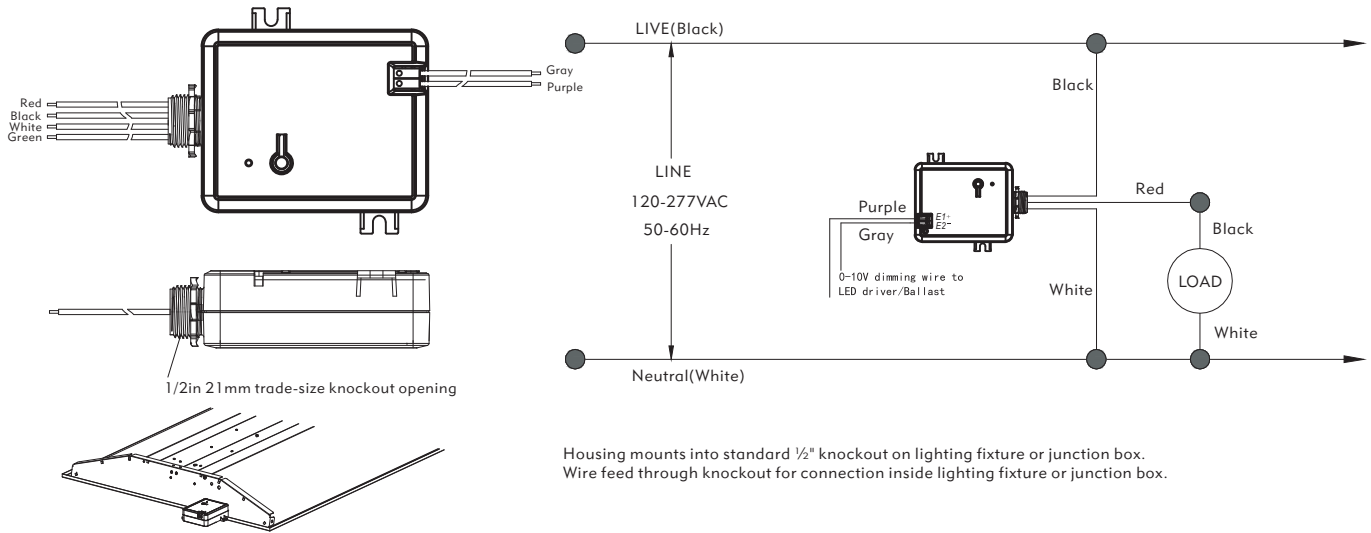
Wall Mount

Dimensions

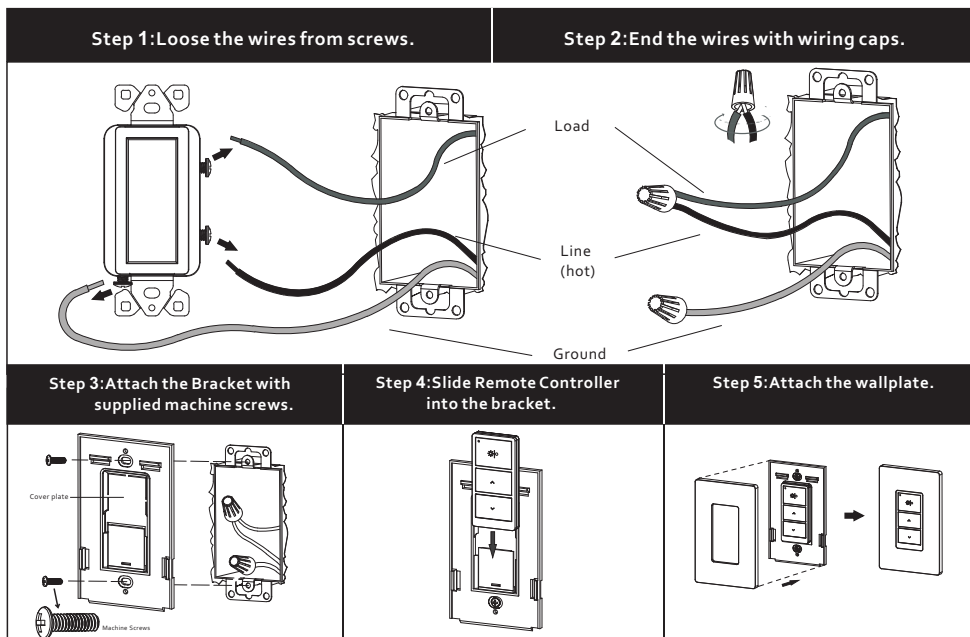


0-10V Wireless Dimming Module Control

Wiring Schematic



Junction Box Installation



Wall Surface Installation

